

## GML-ZN80 Metal Magnetic Touch Latch

### Features

- Body is made of metal for high durability
- Designed for use on large doors due to its strong push force
- Plastic portion is flame resistant and compliant with UL94V-0 standard
- Magnet part has an allowance of 1.5° on each side to catch the strike plate correctly, this helps the magnet to adjust even if there is a slight misalignment
- Screws for the mounting plate are designed to be hidden from view
- For overlay doors, please ensure there is correct clearance between the door and side board as shown in the drawings below
- Passed 100,000 life cycle test

### Notes

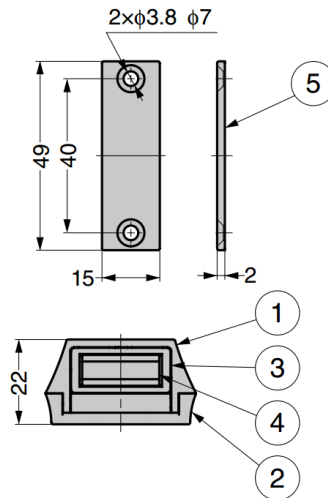
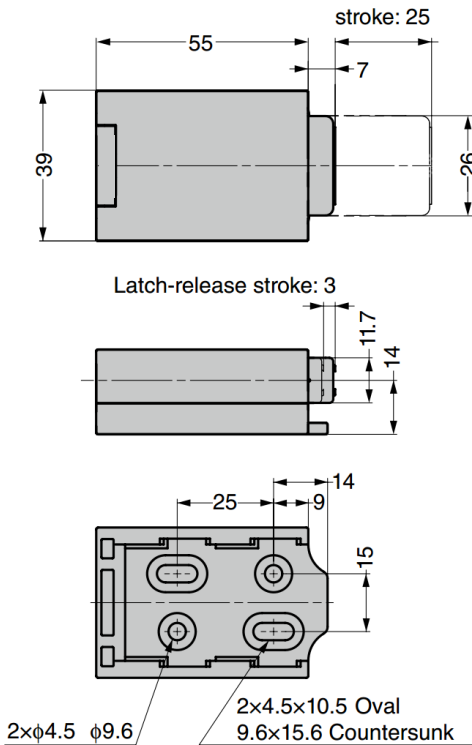
- Magnetic force may vary, please confirm with actual product before use
- Please install the body at the height where people are supposed to push
- Please use hinges which do not have catch functions

### Parts Included

- Cross-recessed tapping screw M4 × 16
- Cross-recessed tapping screw M3 × 16

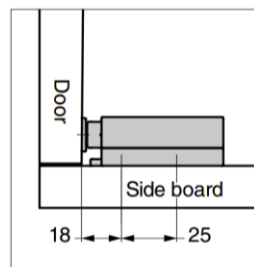


No.	Part Name	Material	Finish/Colour
①	Body	Zinc Alloy (ZDC)	Enamel Finish
②	Mounting Plate		
③	Latch	Polyamide (PA)	-
④	Magnet	Ferrite	
⑤	Strike Plate	Stainless Steel	Barrel Polished

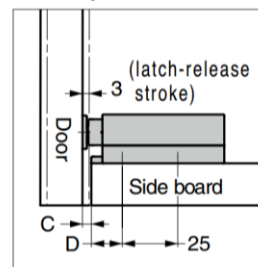


### Installation

#### ● Inset Doors



#### ● Overlay Doors



### [Dimension]

C (mm)	D (mm)
3	15
4	14

Please make sure there is the "C clearance" on the side board.

It makes the installation easier to align the edge of the body to the edge of the side board.

Part No.	Colour	Magnetic Force		Push Force	
GML-ZN80BL	Black	29.4 N	3 kg	49 N	5 kg
GML-ZN80WT	White				